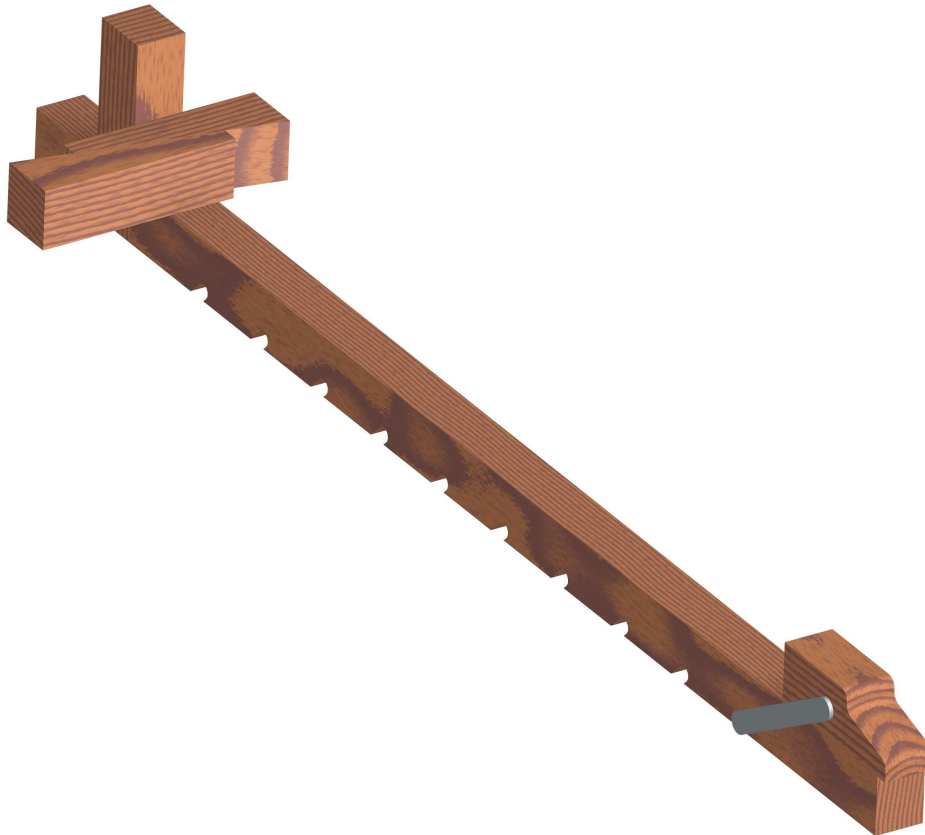


Wooden Clamp

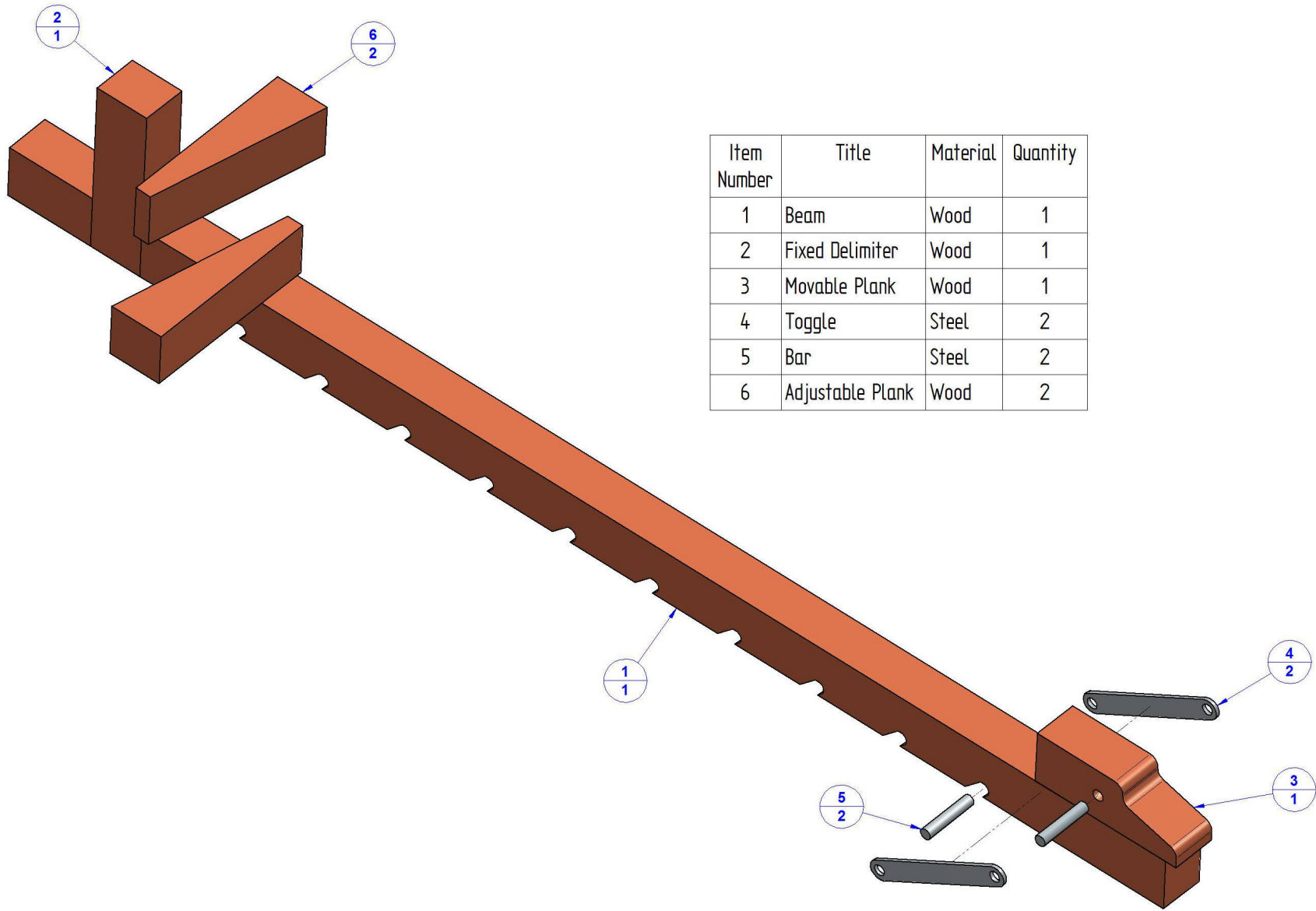


Making of this Clamp requires not much of your time and you don't need to have some special skills. All you have to do is to precisely make the items with the exact measurements as given in this documentation, then join those parts together.

You can use various types of wood to make this type of clamp, but we recommend Birch, Beech, Oak, Maple, Ash, Alder, or some other types with similar qualities. Pay attention, to choose some well dried wood.

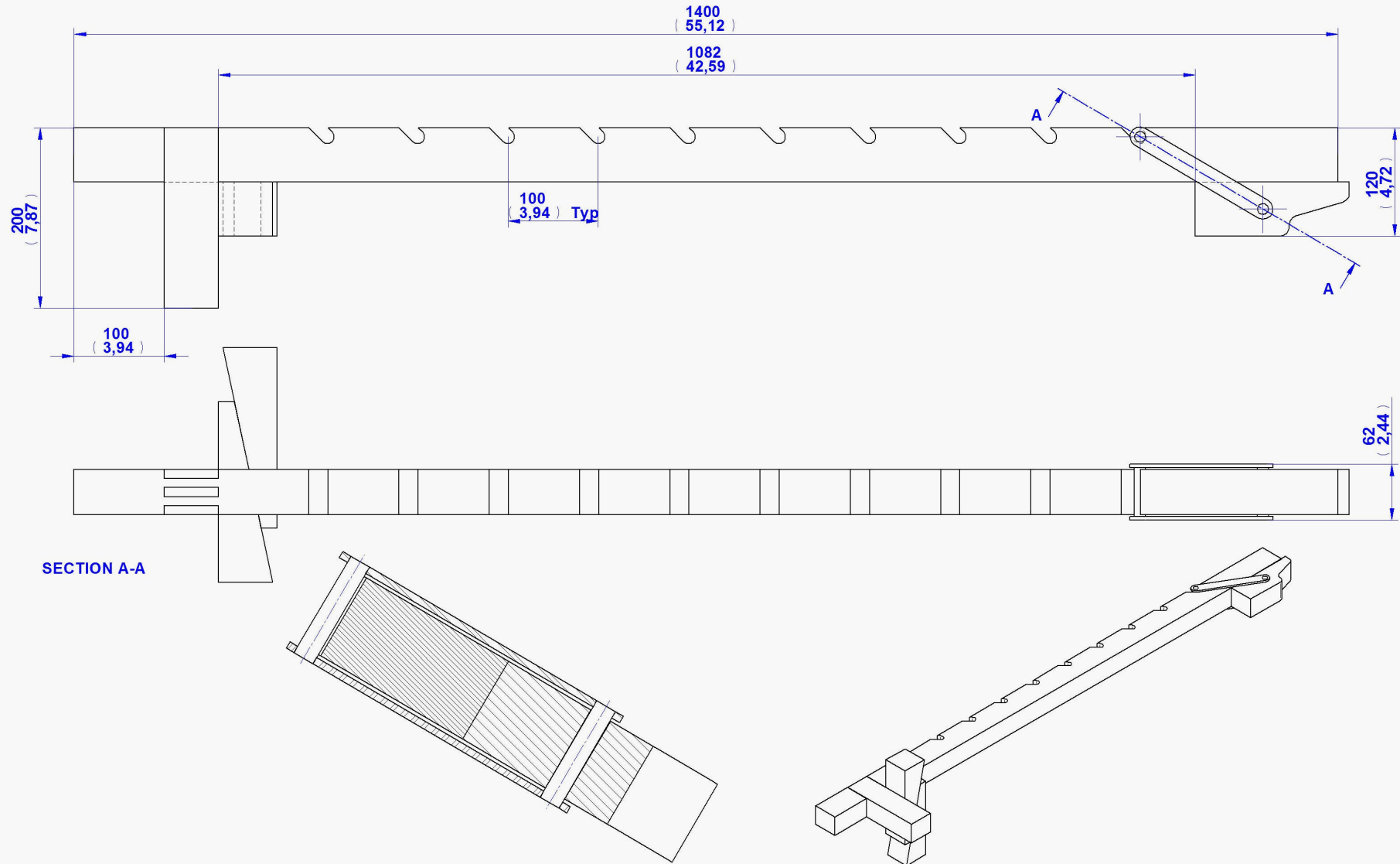
The measurements within this text and 2D documentation are given both in millimeters and inches (in brackets). This website is based on ISO measurement unit system, which is the international standard. I apologize to the people who use other measurement units; but I believe that measurements given in millimeters and inches should be adequate for everyone who would like to build this project.

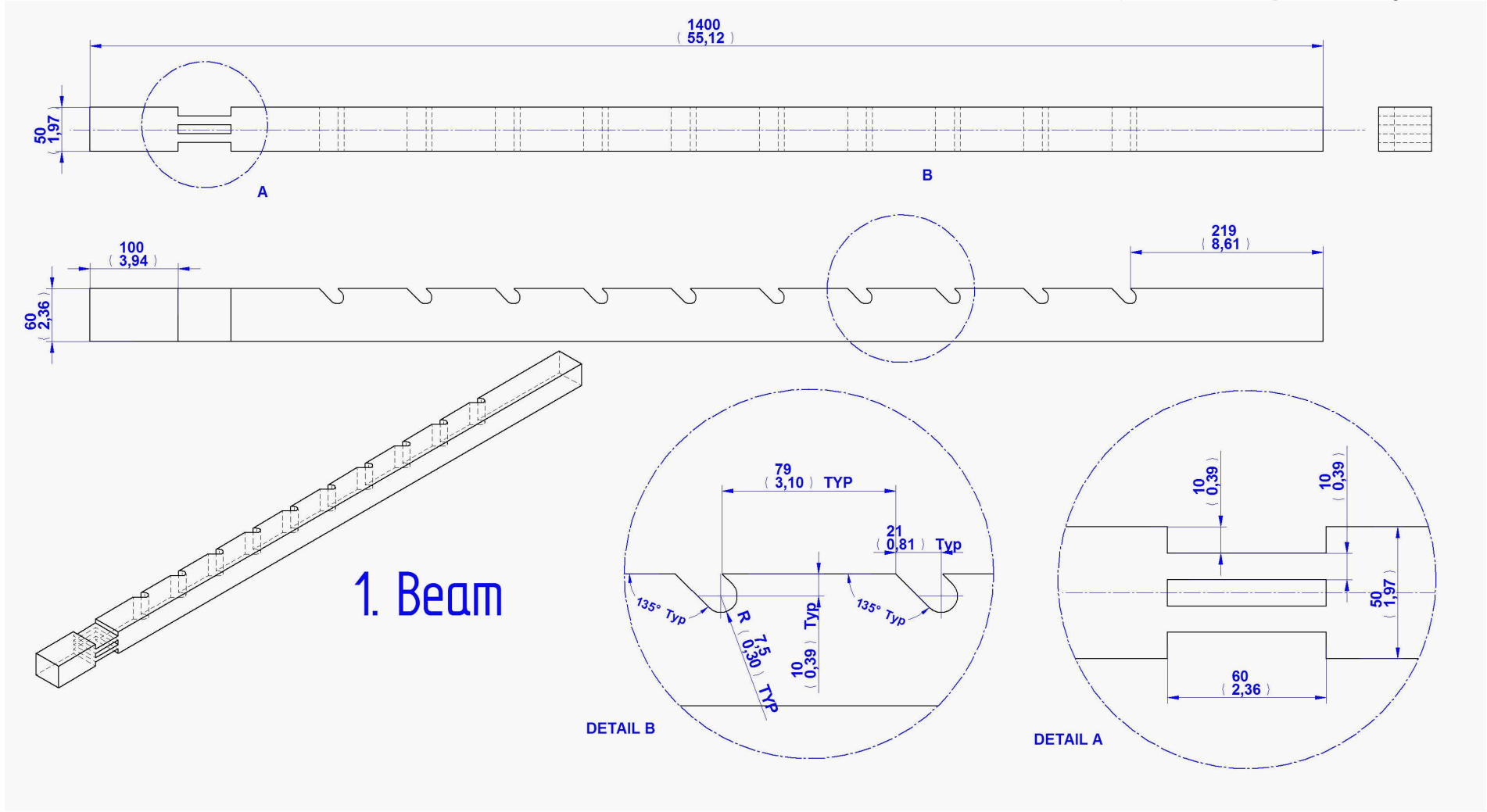
Parts List



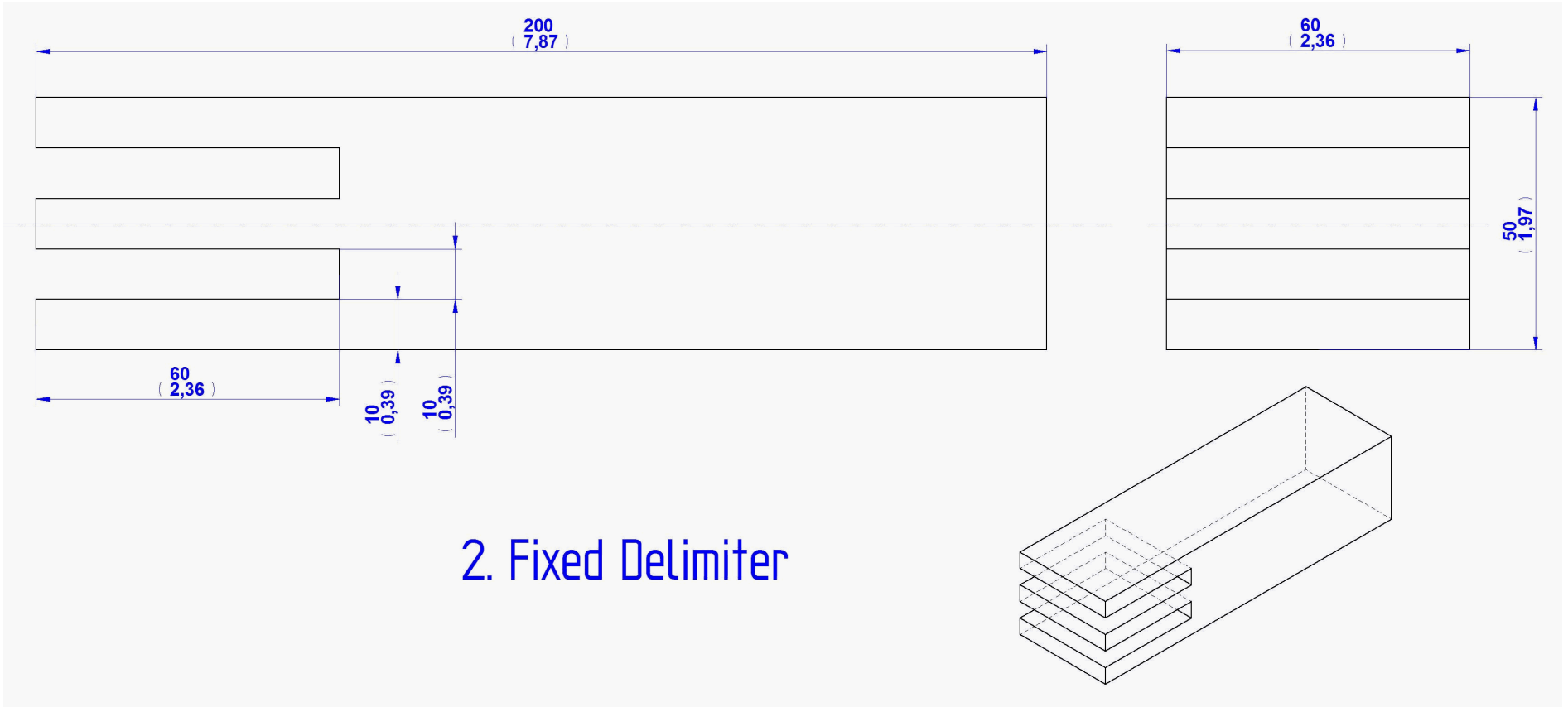
Item Number	Title	Material	Quantity
1	Beam	Wood	1
2	Fixed Delimiter	Wood	1
3	Movable Plank	Wood	1
4	Toggle	Steel	2
5	Bar	Steel	2
6	Adjustable Plank	Wood	2

Assembly Drawing

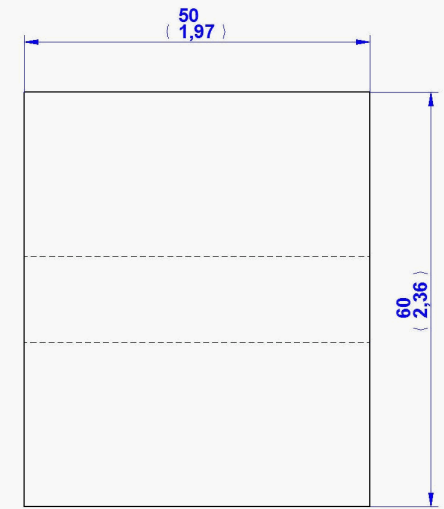
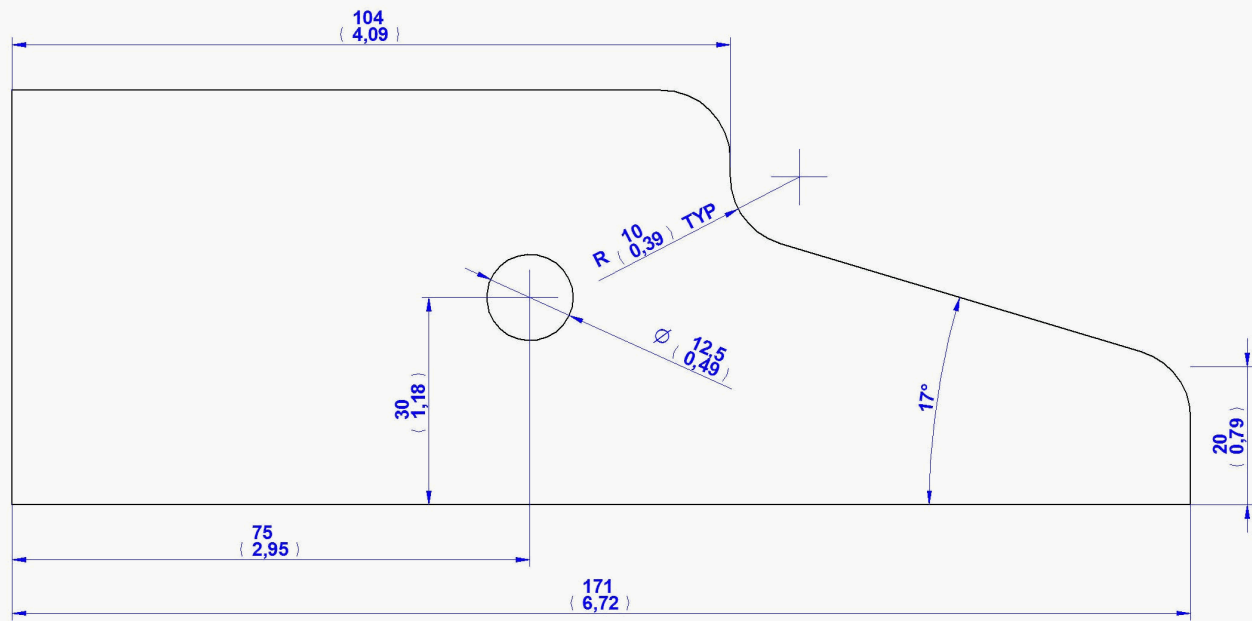




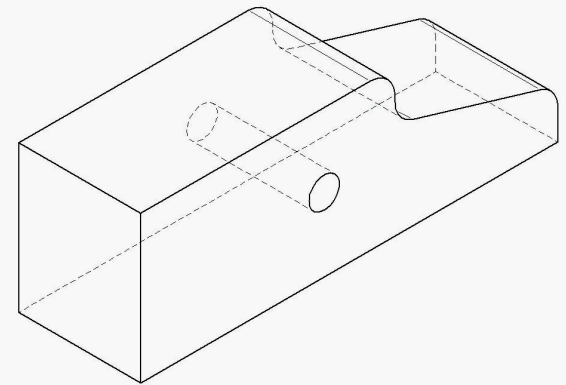
1. Beam

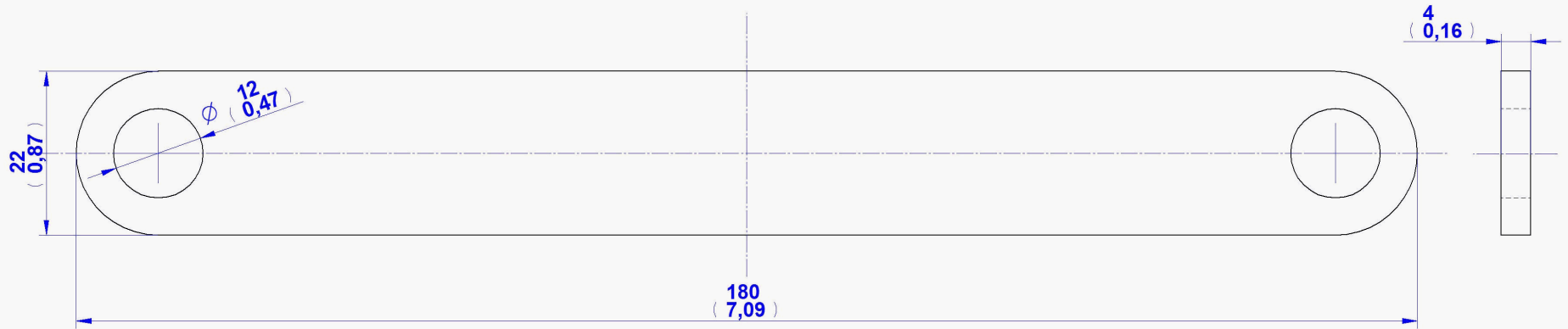


2. Fixed Delimiter

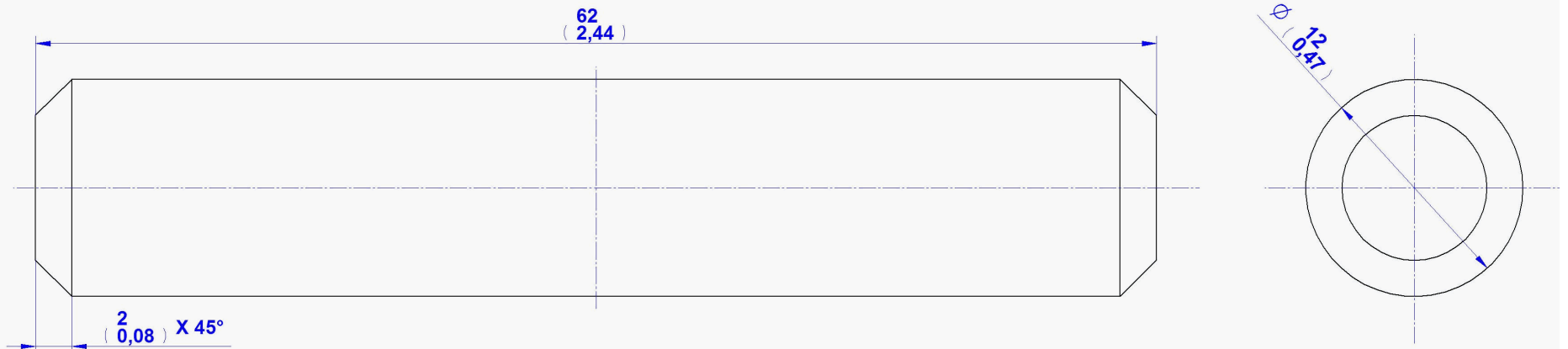


3. Movable Plank

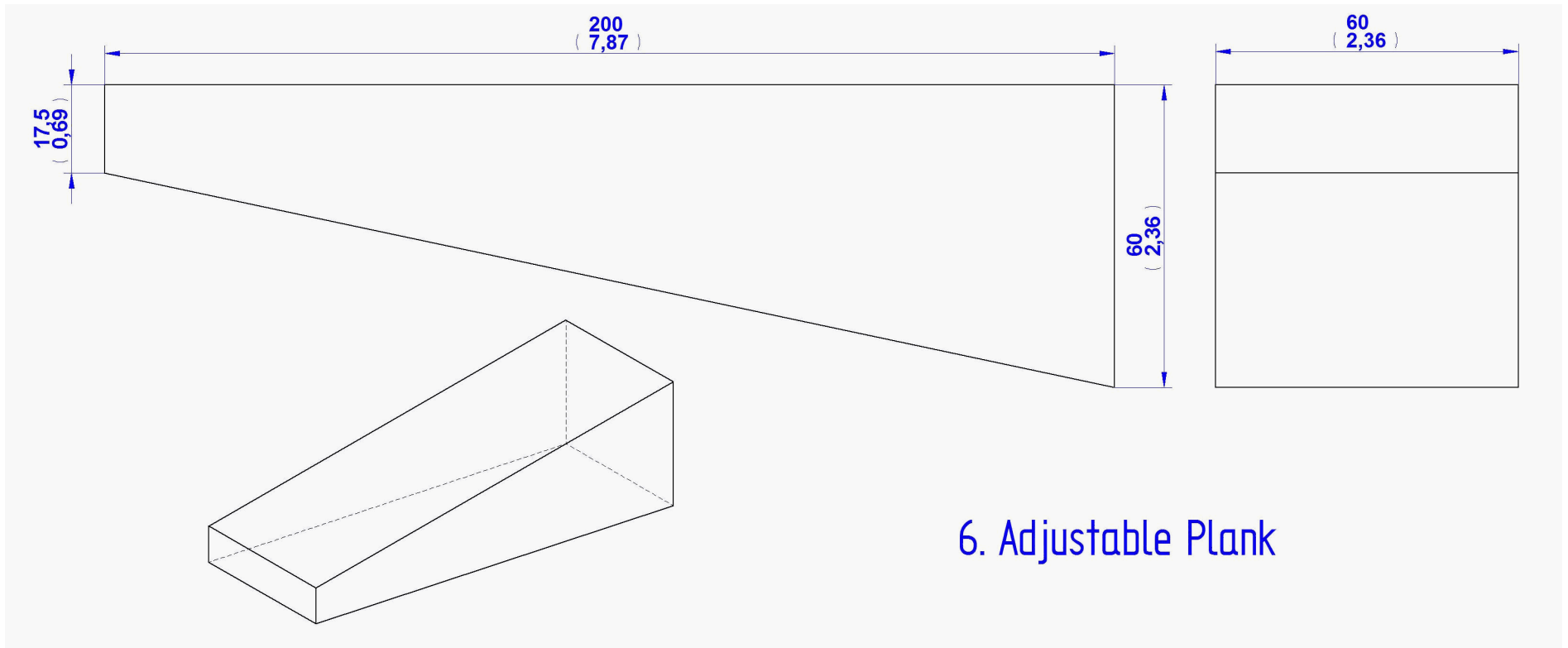




4. Toggle



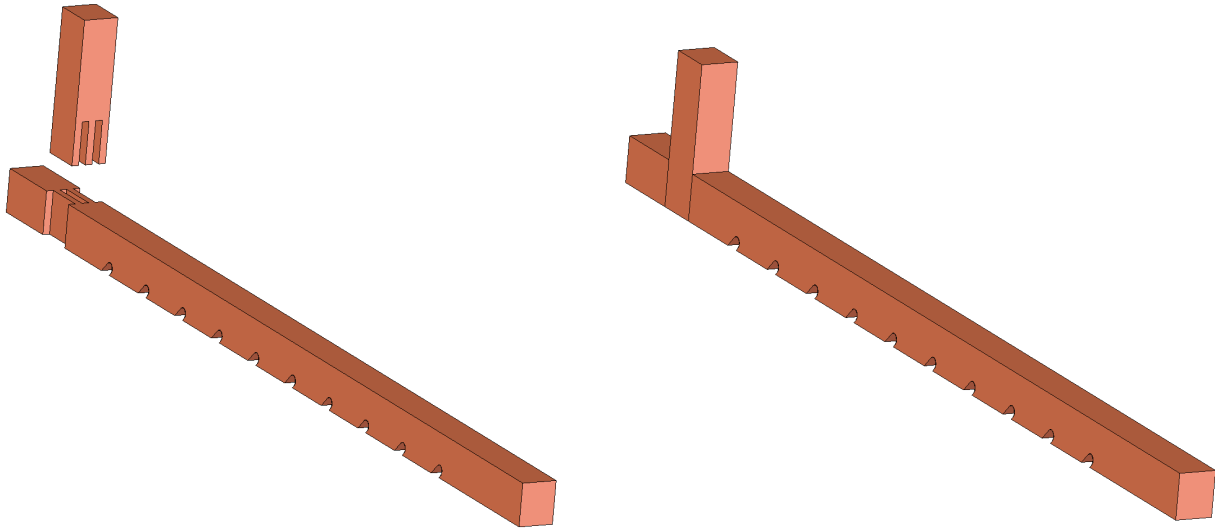
5. Bar



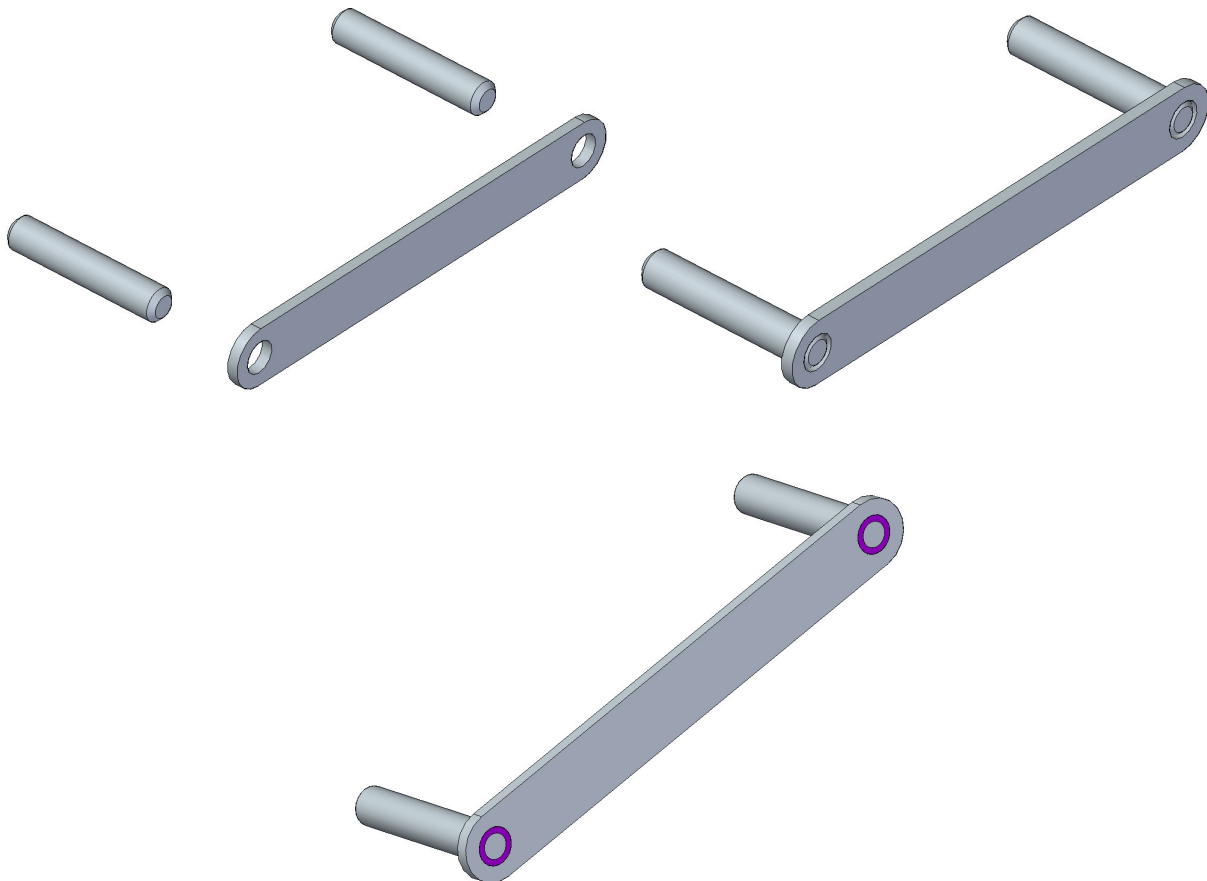
6. Adjustable Plank

Assemblage Instruction

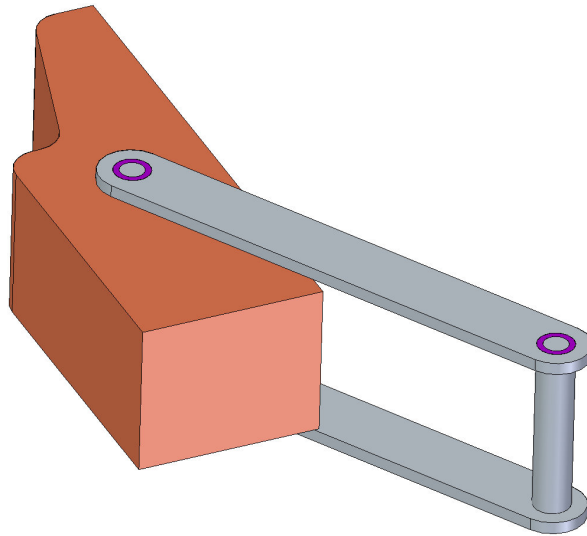
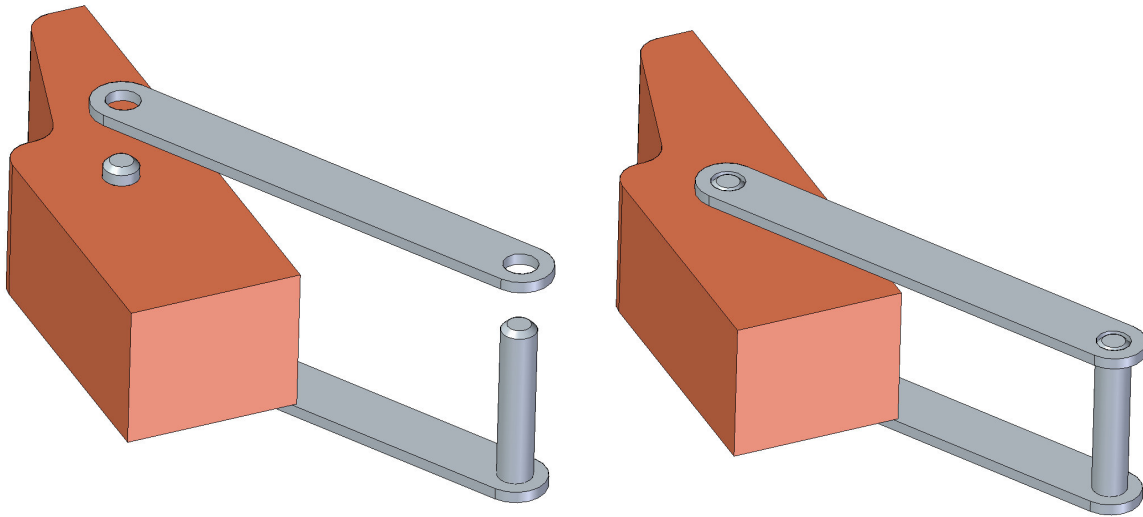
1. Attach the Fixed Delimiter (item 2) to the Beam (item 1) with glue.



2. Weld the Bars (items 5) to the Toggle (item 4).



- Put the Movable Plank (item 3) on the subassembly from the previous step and weld second Toggle (item 4).



Final Assembly

